



CVC4 – Datasheet

High precision, auto-addressable RGBW LED tape dimmer with P-Link or DMX/RDM input.



ENTTEC's CVC4 is a high precision 4 channel, constant voltage (CV) LED dimmer, capable of dimming up to 5A of LED tape per channel at 12-24v.

The CVC4's key feature is its integration of ENTTEC's Pixelator family controller's auto-addressing PLink protocol. This is a time saving system designed to allow users to simply chain one device to the next using Cat6 cable up to 300m away, removing the need to manually address each CVC4.

Alternatively use RDM to configure the start address of each CVC4 (default channel 001) and control over DMX. Another feature for the CVC4 is its ability to convert DMX to PLink protocol, connect a Cat6 cable to a CVC4 receiving DMX and the PLink protocol will auto-address all consecutive CVC4 along the daisy chain.

The CVC4 incorporates a user-serviceable blade fuse to protect against short circuits and features the ability to limit the output to reduce overheating. With two DIP switches located on the CVC4, easily switch between RGB/RGBW and 8-bit/16-bit modes¹.

The solid-state, fan-less design means the CVC4 is virtually silent when in operation.

Features

- Dimming capacity of up to 5A per channel.
- 12-24V input (20A maximum).
- 1KHz PWM signal refresh rate.
- Support daisy chaining of ENTTEC's auto-addressing P-Link Protocol over Cat6 cable.
- DMX/RDM input through pluggable rising clamp connector.
- RDM identification and addressing functionality.
- On board conversion from DMX to P-link.
- Attachable TS-35 Din Rail mounting clip.
- Status LED and DIP switch to toggle between RGB/RGBW and 8-bit/16-bit operating modes.
- User-serviceable blade fuse to protect against short circuits.
- Passive cooling with internal overheating protection.
- Compact design with integrated 4mm surface mounting holes.

¹ CVC4 16-bit mode matches CVC3 dimming curve.

Specification

| | | | |
|---|---|-------------------------------|--|
| Connectors | 1* Power Input (Screw Terminal) | | |
| | 1* DMX Input (Screw Terminal) | | |
| | 1* PLINK In/Out (RJ45) | | |
| | 1* CV Output (Screw Terminal) | | |
| IP rating | IP20 | | |
| Data input protocols | DMX512a | | |
| | PLink - WS2812b (RJ45) | | |
| Data output protocol | PLink - WS2812b (RJ45) | | |
| RDM functionality | Start address configuration | | |
| | Temperature monitoring | | |
| | Firmware updatable | | |
| Start address configuration options | PLink using Pixelator family | | |
| | RDM (Default channel: 1) | | |
| Dimming resolution | 8/16-Bit | | |
| Fixture Modes / Channel footprint | 8-Bit RGB | 3ch | |
| | 8-Bit RGBW | 4ch | |
| | 16-Bit RGB | 6ch | |
| | 16-Bit RGBW | 8ch | |
| Data capability (per chain) | DMX Input | Up to 1 universe | |
| | PLink Input | Up to 2 universes | |
| Max. data cable length | DMX | 300m per chain | |
| | PLink | 300m between each CVC4 (Cat6) | |
| Input voltage | 12-24 V DC | | |
| Max. current rating | Max. 20A (in 4ch mode) | | |
| Max. output power | 240 W (@12V) | | |
| | 480 W (@24V) | | |
| Device power draw | Max. 4W - Idle 0.3W | | |
| Max. current per channel | Max. 5A | | |
| Reverse polarity protection | Yes (power input connector only) | | |
| Over Temperature Protection | Yes (output intensity will half and the LED indicator will blink red unit device has cooled). | | |
| Pulse width modulation (PWM) frequency | 1KHz - Fixed | | |
| User serviceable fuse: | ATO 20A blade fuse | | |
| Cooling method | Convection | | |
| Operating temperature | -20°C to +50°C | | |
| | -4°F to 122°F | | |
| Environmental operating humidity | 5- 95% (non-condensing) | | |
| Mounting Options | Surface mount using mounting tabs | | |
| Body material | Black ABS plastic + Aluminium heat sink | | |
| Unit dimensions | 88*117.5*31.5mm | | |
| Unit weight | 0.13kg / 0.28lbs | | |
| Shipping dimensions | 140*140*40 mm | | |
| Shipping weight | 0.19kg / 0.42lbs | | |
| Warranty | 3 year return to base manufacturer warranty | | |

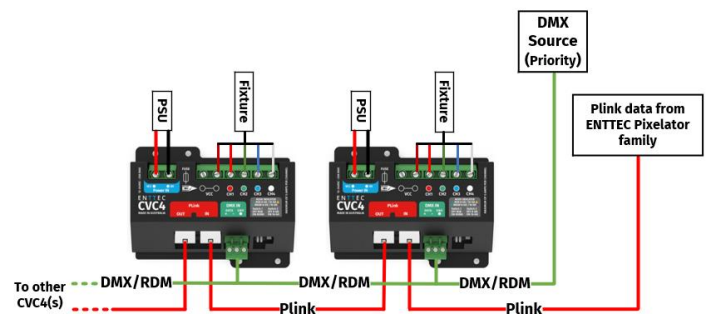
Certification



Box contents

- CVC4
- TS35 DIN clip
- 2 * Din clip mounting screws

Application diagram



User Serviceable Fuse

The CVC4 contains a user serviceable 20A blade fuse to protect against over draw and short circuiting.

Installation

This product must be installed in accordance with applicable national and local electrical & construction codes by a competent person familiar with the operation of the product and the hazards involved. Failure to comply with these and the product installation guide may result in serious injury or damage to property. Refer to this product's full installation guide before handling, planning, and specifying it on your project. If ever unsure consult ENTTEC.

Ordering information

For further support and to browse ENTTEC's range of products visit the [ENTTEC website](http://enttec.com).

| Item | SKU |
|------|-------|
| CVC4 | 73926 |

enttec.com

MELBOURNE AUS / LONDON UK / RALEIGH-DURHAM USA

Due to constant innovation, information within this document is subject to change.