



IP Plink Injector – Datasheet

IP66 Plink Injector for outdoor installation.



The ENTTEC PLINK INJECTOR series is purposefully designed as an integral component of the ENTTEC PIXELATOR System, streamlining installation for efficient, cost-effective control of LED pixel strips or pixel dots over extended distances.

ENTTEC’s IP PLINK INJECTOR represents an enhanced version of the standard PLINK INJECTOR, suitable for seamless outdoor integration with IP66 rating. Encased in rugged and IP-rated aluminium housing, it provides excellent dust and water protection, complemented by a round-shaped cable gland suitable for widely available wiring cables.

The IP PLINK INJECTOR featuring DC power input terminal connectors and SPI Data, VCC, and GND connections is the ideal solution for LED Tape or dots accommodating up to 10Amps of power. It’s crucial to ensure that your power supply voltage matches the voltage of your pixel fixtures and is integrated with the PLINK controller.

For added flexibility, the PLINK INJECTOR allows voltage adjustment by swapping the voltage jumper position to align with your specific design requirements.

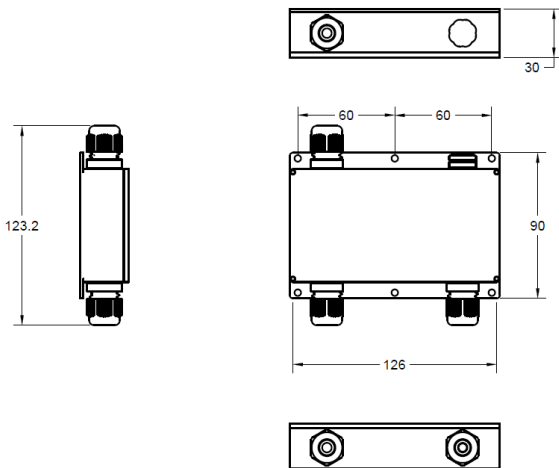
Features

- **Designed as an integral component with PIXELATOR controllers in a PLINK System.**
PLINK data extends up to 300 meters over Cat5e/Cat6 cable from PIXELATOR controllers.
Note: Only use CAT5/6 Straight-through cables, do not use crossover cables
- **Each IP PLINK INJECTOR converts PLINK data to SPI protocol and drives up to 3m distance connecting to an external DC power supply.**
- **Machined 6061 aluminium enclosure – lightweight, rugged, impact-resistant, long-lasting, corrosion-resistant, UV-resistant.**
- **Premium nylon cable glands for installation flexibility.**
- **Breath seal (automatic pressure equalization, manages condensation to avoid electronic failures).**
- **IP66 enclosure (powerful water jets, high-pressure washdown resistant).**
- **Adjustable voltage jumper position for 5V, 12V-24V settings.**

Specification

Connectors	3x Cable gland (Ø4mm-8mm)
	1x Breath seal
IP Rating	IP66
Input Data Protocol	Plink data
Data Output Type	SPI. See the website for all supported protocols
Input Voltage (See jumper config guide)	5V DC
	12-24V DC
Maximum Throughput Capacity	5V – 50 Watt
	12V – 120 Watt
	24V – 240 Watt
Max. Current Per Screw Terminal (VCC or 0V)	10 Amps
Environmental Operating Temperature	-10°C to 65°C 14°F to 149°F
Environmental Operating Humidity	5- 95% (non-condensing)
Body Material	6061 Aluminium
Unit Dimensions	126 * 123.2 * 30 mm
Unit Weight	0.28kg / 0.62lbs
Shipping Dimensions	140 * 140 * 40mm
Shipping Weight	0.34kg / 0.75lbs
Warranty	3 year return to base manufacturer warranty

Physical Dimension



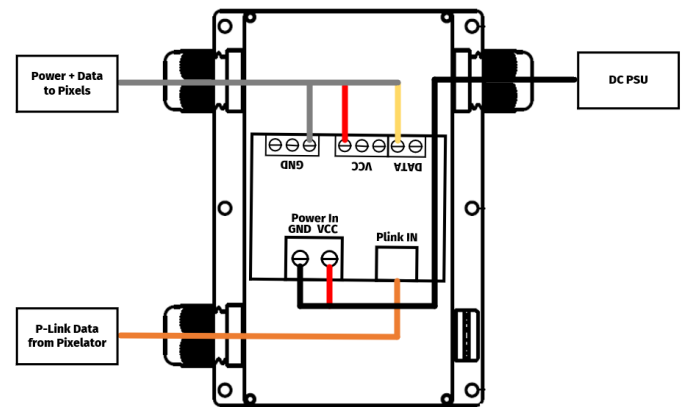
Certification



Box contents

- IP Plink Injector
- Top lid screws - 4pcs
- Foam Gasket

Wiring Diagram



Safety

- Make all the connections before you plug in the mains power.
- Never plug this unit into a dimmer pack
- Installation should be planned to avoid strain on connecting cable.
- Check jumper position for voltage setting (5V, 12V-24V) before powering up.



Position 1&2 = 5VDC



Position 2&3 = 12-24VDC

Ordering Information

For further support and to browse ENTTEC's range of products, visit the ENTTE WEBSITE.

Item	SKU
IP Plink Injector	73924

enttec.com

MELBOURNE AUS / LONDON UK / RALEIGH-DURHAM USA / DUBAI UAE
Due to constant innovation, information within this document is subject to change.