



# PLINK INJECTOR – Datasheet

2 universe output device for the Pixelator family.



The PLINK INJECTOR is the output hardware that enables power to be injected and long range PLink protocol sent from ENTTEC PIXELATOR devices converted to pixel products to be wired directly to pixel dots or strip. The PLINK INJECTOR has been designed to make installation simple and affordable, the perfect solution for large, creative projects.

ENTTEC's PLINK INJECTOR receives up to 2 universes of PLINK control protocol from a PIXELATOR family controller from up to 300m distance using Cat5e/Cat6 cable. Each PLINK INJECTOR can control up to 340 RGB or 256 RGBW pixels each. This satellite system provides great flexibility, and since all data conversion is processed on the PIXELATOR, the PLINK INJECTOR is kept as compact as possible.

The PLINK INJECTOR features DC power input terminal connectors and SPI Data, VCC and GND to connect to your LED Tape or dots. Simply connect and go with no PLINK configuration required.

You can choose from the 5V or 12-24V variants to suit your project.

## Features

- Each PLINK port can drive up to 340 RGB or 256 RGBW individual pixels (2 DMX universes).
- The PLINK INJECTOR is designed for use with PIXELATOR controllers.
- Connect to an external DC power supply.
- Data extensions up to 300 meters over Cat5e/Cat6 cable.
- Small, light and easy to hide design.
- Scalable system architecture suited to large projects.
- 10A rising clamp terminal connectors for fast, simplistic wiring.
- Up to 2 universes of data output, (Each data output terminal duplicates identical signal).

## Safety

- This unit is intended for indoor use only. Do not expose to rain or moisture, doing this will void the warranty.
- Make all the connections before you plug in the mains power.
- Do not remove the cover, there are no serviceable parts inside.
- Never plug this unit into a dimmer pack.

## Specification

Type	5VDC (73546)	12-24V DC (73544)
Connectors	1* PLINK Input (RJ45) 1* Power In (rising clamp) 1* Pixel Output (rising clamp)	
IP Rating	IP20	
LED Indicators	Yes	
Input Data	PLINK data	
Output Data	SPI. See the ENTTEC website for all supported protocols	
Pixels Per PLINK	340 RGB Pixels / 256 RGBW Pixels	
Input Voltage	5VDC	12-24V DC
Maximum Throughput Capacity	10 Amps	10 Amps
	50 Watt	12V: 120 Watt 24V:240 Watt
Max. Power Draw	3.5W	
Cooling Method	Convection	
Environmental Operating Temperature	-10°C to 65°C 14°F to 149°F	
Environmental Operating Humidity	5- 95% (non-condensing)	
Body Material	Folded Aluminium	
Unit Dimensions	83.5*73.5*33.7 mm	
Unit Weight	0.135kg / 0.30 lbs	
Shipping Dimensions	125*75*70 mm 4.92*2.95*2.76"	
Shipping Weight	0.15kg / 0.33 lbs	
Shipping Dimensions (Carton of 8)	260*155*140mm 10.24*6.10*5.51"	
Shipping Weight (Carton of 8)	1.2Kg / 2.46lbs	
Warranty	3-year return to base manufacturer warranty	

## Certification



## Box Contents

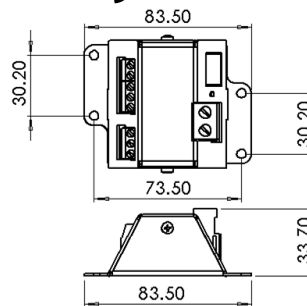
- PLINK INJECTOR

## RJ45 Connector

PLINK Data is sent over Cat6 cable:

- Pin 1: Data +
- Pin 2: Data -
- Pin 7: Ground

## Physical Dimensions



## Installation Guidance

The PIXELATOR family products converts eDMX protocols into our own PLINK data. This data is sent on up to a 300m Cat6 cable to a PLINK INJECTOR, where it is converted to the SPI protocol (see our website for all supported protocols).

At the PLINK INJECTOR, you can wire up an external DC power supply. The PLINK has the capability to handle 10Amps through the device. It is important that your power supplies voltage matches the voltage of your Pixels, as well as having a PLINK which is compatible with the voltage range.

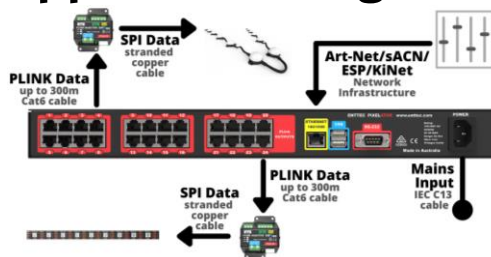
Each PLINK INJECTOR can then be wired up to 3m (total cable length) away from the first Pixel.

## Ordering Information

For further support and to browse ENTTEC's range of products visit the [ENTTEC website](https://www.enttec.com).

Item	SKU
PLINK INJECTOR 5v	73546
PLINK INJECTOR 12v-24v	73544

## Application Diagram



# enttec.com

MELBOURNE AUS / LONDON UK / RALEIGH-DURHAM USA

Due to constant innovation, information within this document is subject to change.