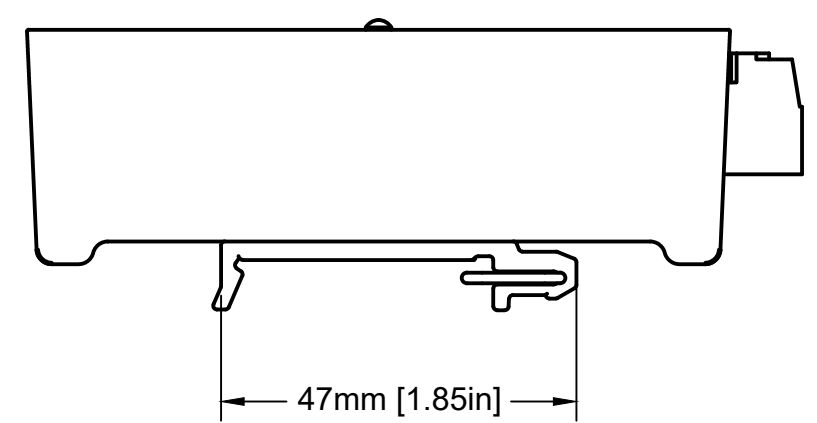
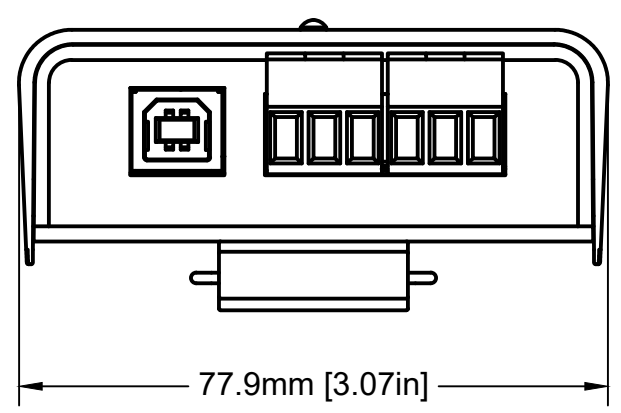
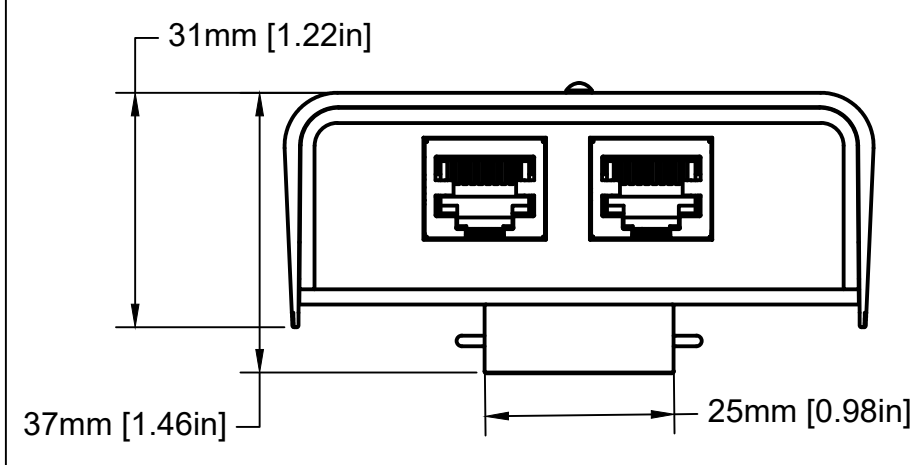
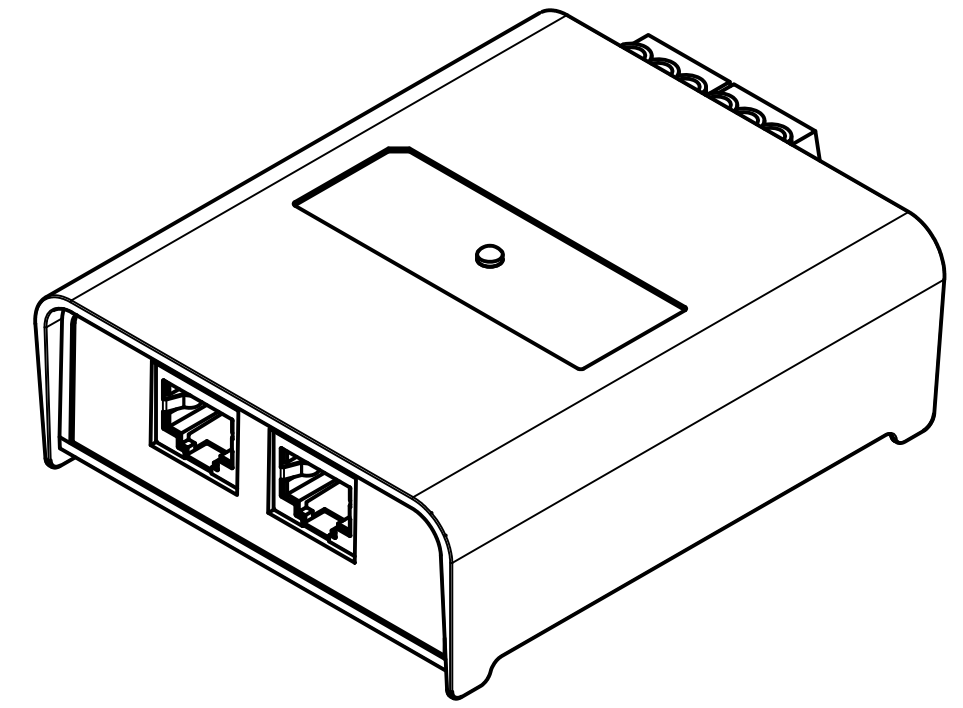
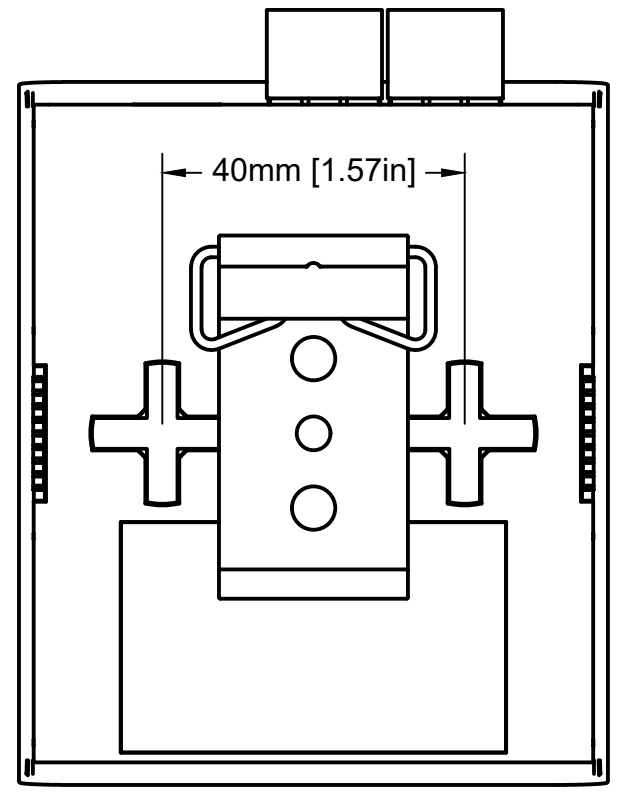
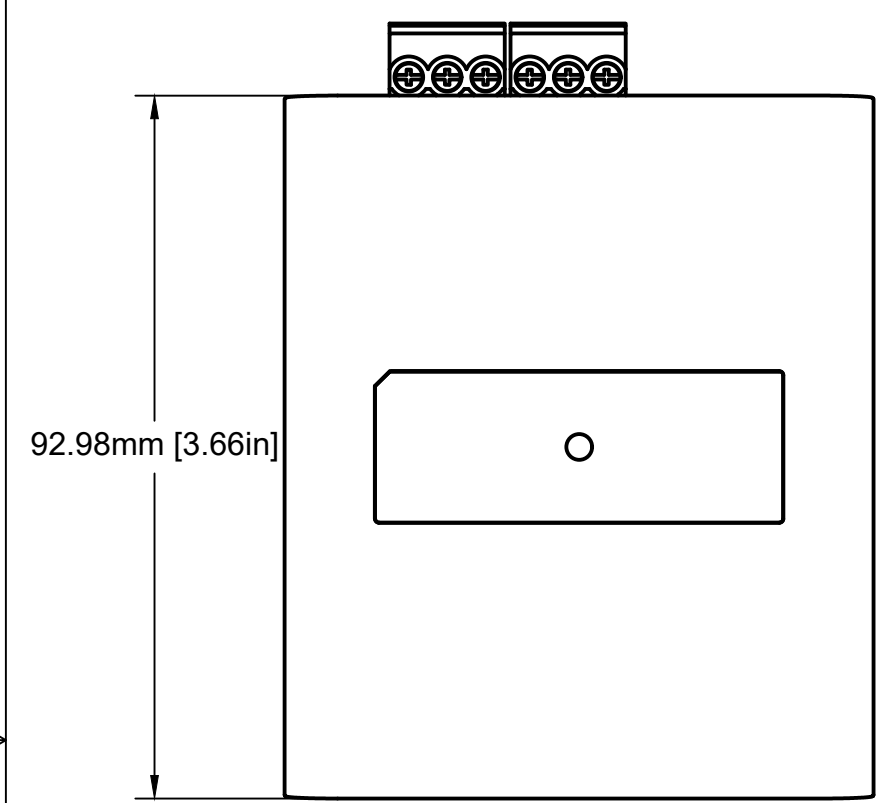


ISOMETRIC ACTUAL SIZE



1	RELEASED FOR PRODUCTION	NM	25-11-21				
ISSUE	REVISION	DCN / INITIAL	DATE	ISSUE	REVISION	DCN / INITIAL	DATE

MATERIAL & FINISH
--

TOLERANCES
(UNLESS OTHERWISE SPECIFIED)
0.1 UP TO 6mm IS ±0.05
OVER 6 UP TO 30mm IS ±0.10
OVER 30MM UP TO 120mm IS ±0.25
OVER 120MM TO 400mm IS ±0.50
OVER 400mm IS ±1.00
ANGULAR IS ±1/2°

	INITIAL	DATE
DRAWN	INT	--
CHECKED	DBJ	--
SCALE	1:1	

THIS DOCUMENT AND THE DESIGN IT CONTAINS IS EXCLUSIVELY THE PROPERTY OF ENTTEC AND IS THE SUBJECT OF COPYRIGHT

DRAWN TO AS1100
ALL DIMENSIONS IN MILLIMETERS
DO NOT SCALE - IF IN DOUBT ASK

ENTTEC
enttec.com

TITLE
73539 - DIN PIXIE EXTERIOR DIMENSIONS

A3