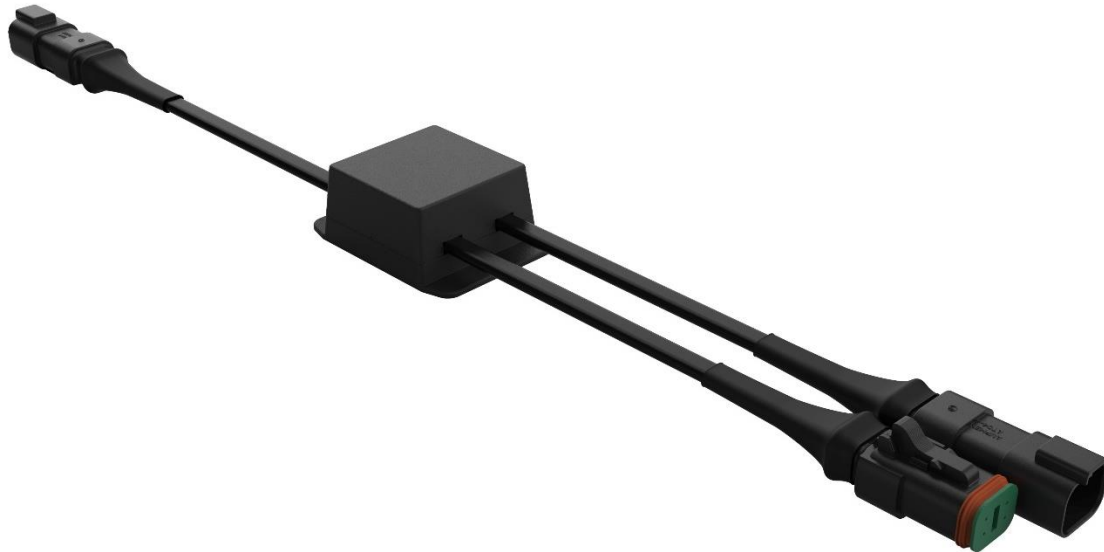


SMART PXL Power Injector (24V/48V)

Inject power to your Smart PXL system to increase the number of Dots per string.



Use the Power injector to get the most value from your Smart PXL Dot system by combating the effect of voltage drop and increasing the number of Dots that can be connected to each controller's data output.

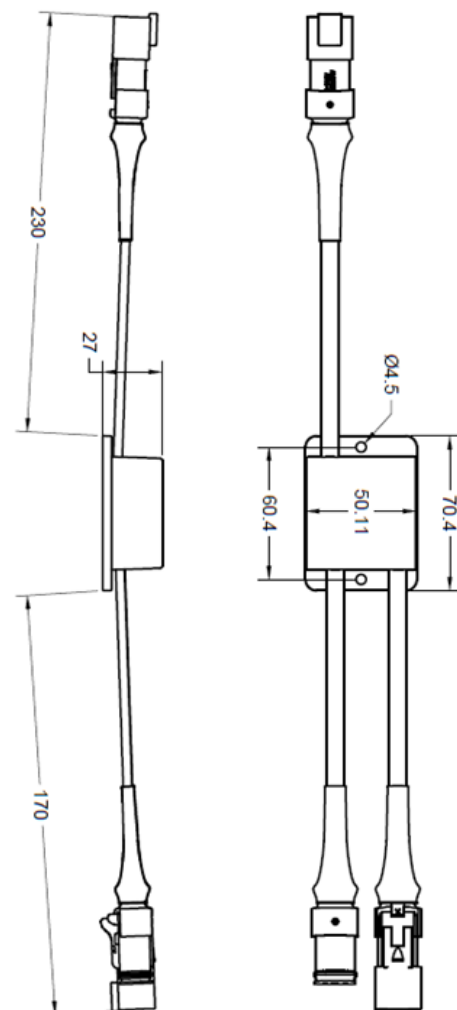
By adding more injectors and power supplies you can keep on extending until you reach the data limit of your system.

For specification information for custom pixel pitches, see the Smart PXL installation guide or speak to a member of ENTTEC's technical sales team.

Features:

- Inject up to 10A of power to extend the number of dots that can be connected to each pixel controller.
- Voltage transient protection on the VCC and Data+ lines.
- Reverse polarity protection.
- Compatible with ENTTEC Smart PXL Dots.
- 1* IP67 Female Amphenol AT Series connectors with industrial grade heat shrink for added rigidity.
- 2* IP67 Male Amphenol AT Series connectors with industrial grade heat shrink for added rigidity.

Physical dimensions



Specification

IP rating	IP67
Wire Gauge	16AWG V+ and V- 20AWG data
Resistance	0.02Ω
Minimum cable bend radius	80.88mm / 3.18in
Voltage	24V / 48V (see PN)
Max rated current.	10A
Max power dissipated	1W
Environmental operating temperature	-20°C to 50°C / -4°F to 122°F
Body material	Plastic
Conductor Material	Tinned copper
Mounting Hole Diameter	4.5mm / 0.18in Dia
Unit dimensions (mm)	70*51.5*22mm / 2.75*2.02*0.86in
Unit weight	0.14Kg / 0.30lbs
Packaging dimensions	160*140*40mm / 6.30*5.51*1.58in
Shipping weight (Kg)	0.20Kg / 0.44lbs
Warranty	3 year return to base manufacturer warranty

Certification



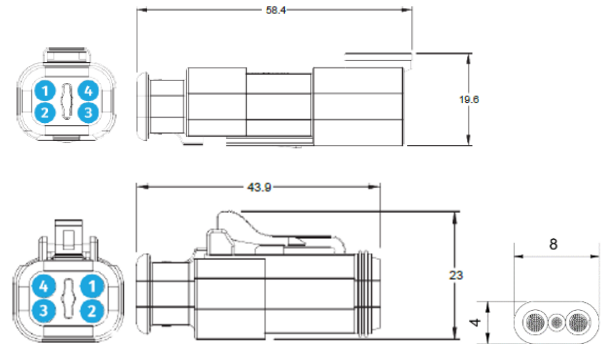
Box contents

- Power injector

Installation, operation & cleaning

- Installation, operation & cleaning of this accessory should be carried out in accordance with the Smart PXL Installation guide and adhere to all local electrical standards.
- This accessory contains no user serviceable parts.

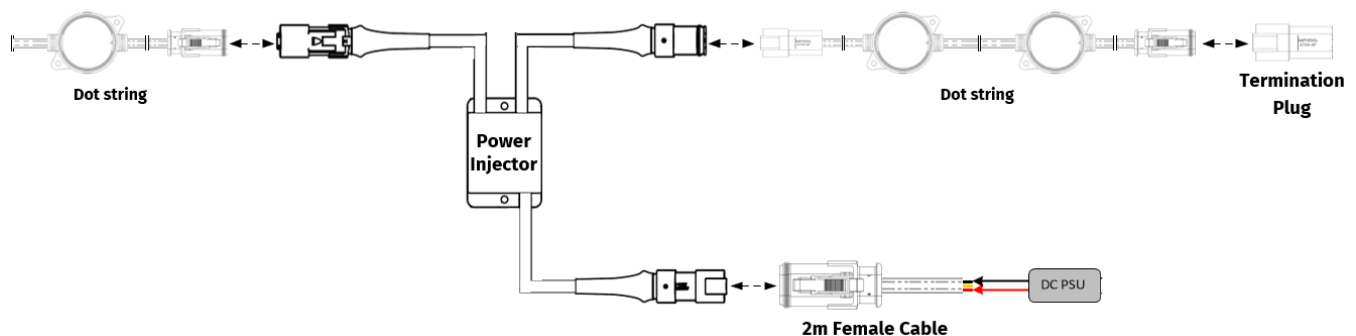
Pin output configuration



Pin Identification chart

	Cable	0V	DATA	+24VDC	+48VDC
24V	Dots In	Pin 1	Pin 2	Pin 3	-
	Dots Out				
	Power input				
48V	Dots In	Pin 1	Pin 2	-	Pin 4
	Dots Out				
	Power input				

Wiring diagram



Ordering information

Visit www.enttec.com for further support and browse ENTTEC's range of LED lighting and control products.

Item	Part No.
Power Injector (24V)	73019
Power Injector (48V)	73023

enttec.com

MELBOURNE AUS / LONDON UK / RALEIGH-DURHAM USA

Due to constant innovation, information within this document is subject to change.