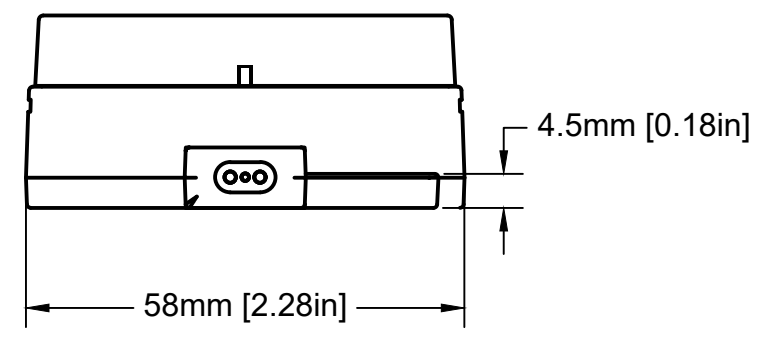
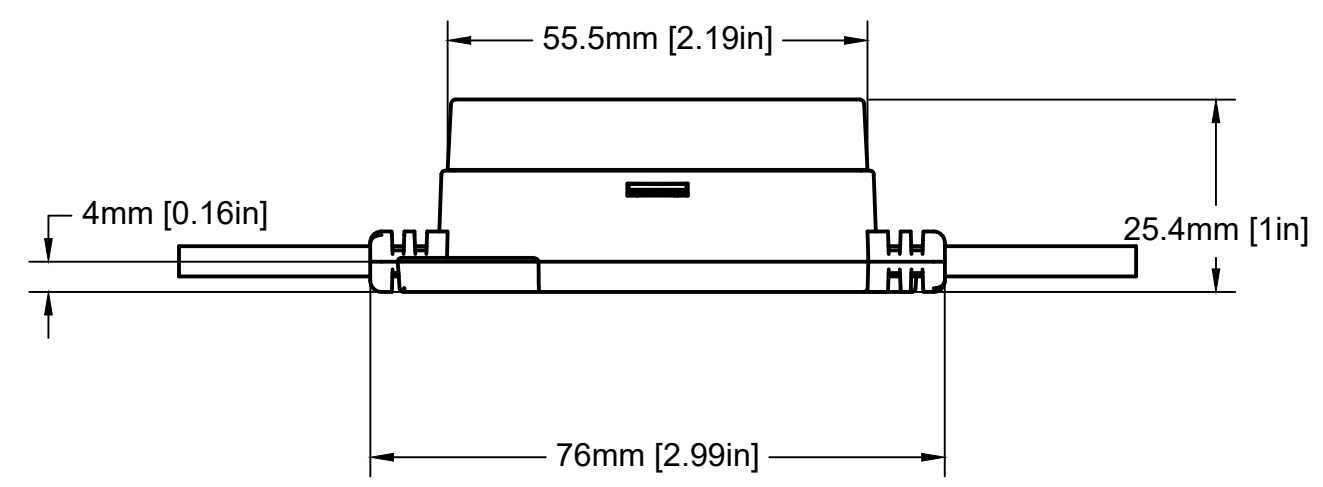
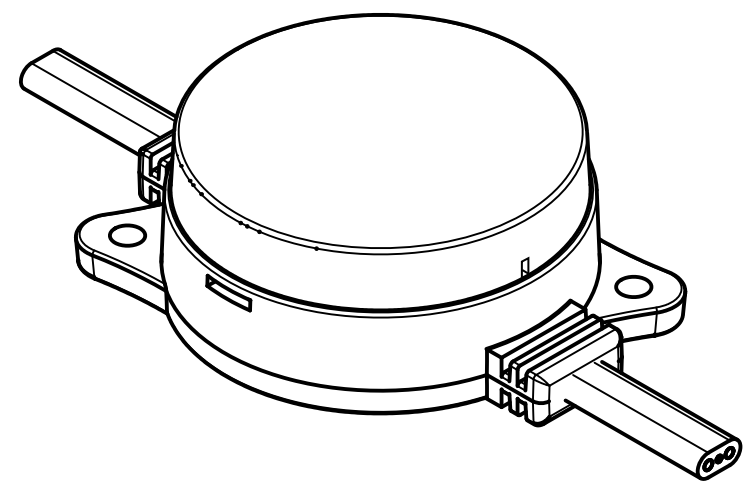
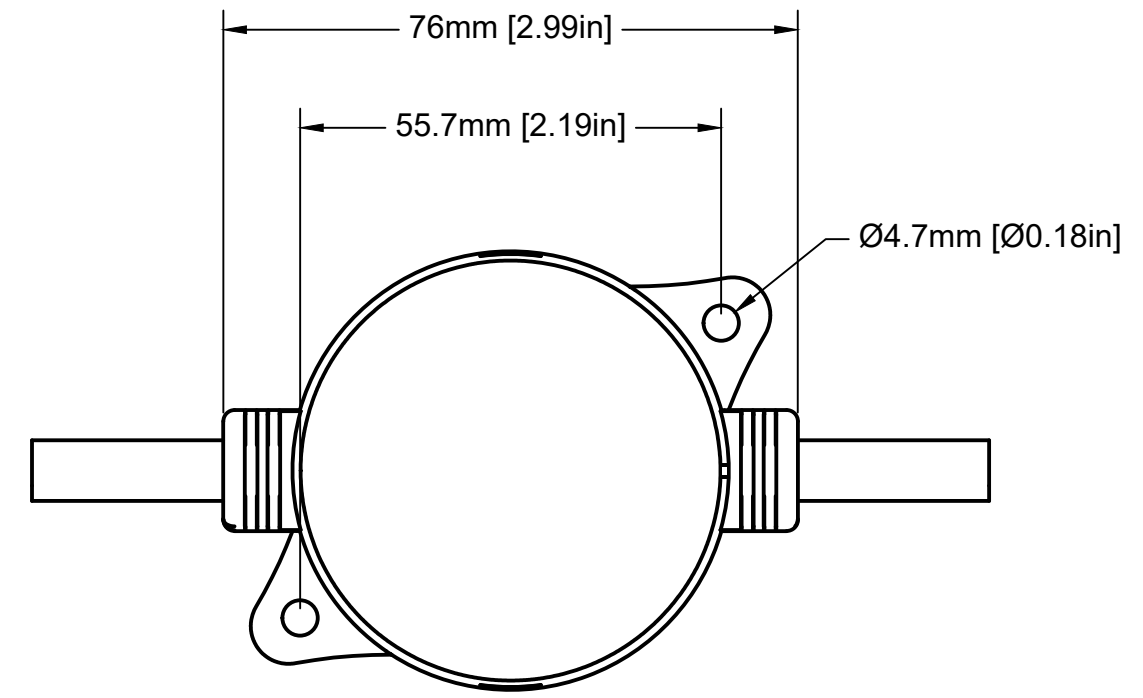


ISOMETRIC ACTUAL SIZE

X = Diffuser Material
C - Optical Grade Clear Polycarbonate
D - Optical Grade Diffuse Polycarbonate



					MATERIAL & FINISH			INITIAL	DATE	THIS DOCUMENT AND THE DESIGN IT CONTAINS IS EXCLUSIVELY THE PROPERTY OF ENTTEC AND IS THE SUBJECT OF COPYRIGHT DRAWN TO AS1100 ALL DIMENSIONS IN MILLIMETERS DO NOT SCALE - IF IN DOUBT ASK	ENTTEC enttec.com	
					--			DRAWN	INT			--
					TOLERANCES (UNLESS OTHERWISE SPECIFIED) 0.1 UP TO 6mm IS ±0.05 OVER 6 UP TO 30mm IS ±0.10 OVER 30MM UP TO 120mm IS ±0.25 OVER 120MM TO 400mm IS ±0.50 OVER 400mm IS ±1.00 ANGULAR IS ±1/2°			CHECKED	DBJ			--
								SCALE	1:1			
2	Lens breathing slot added	DTN	1-2-22				TITLE		73050-XF PXL-60 SMART PIXEL DOT FLAT DIFFUSER		A3	
1	RELEASED	NM	14-04-21									
ISSUE	REVISION	DCN / INITIAL	DATE	ISSUE	REVISION	DCN / INITIAL	DATE					