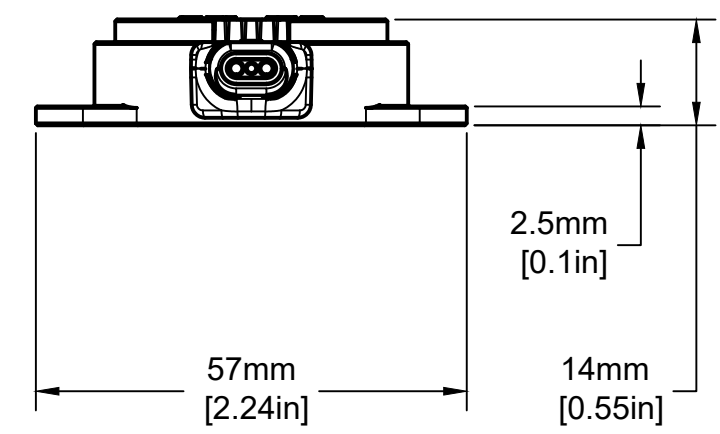
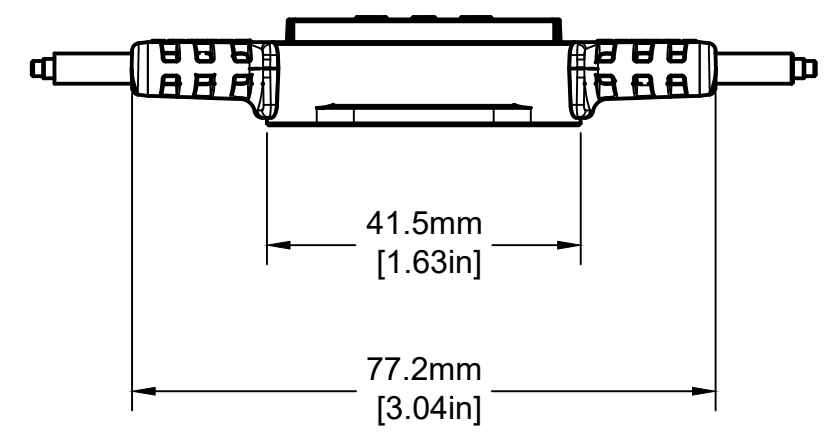
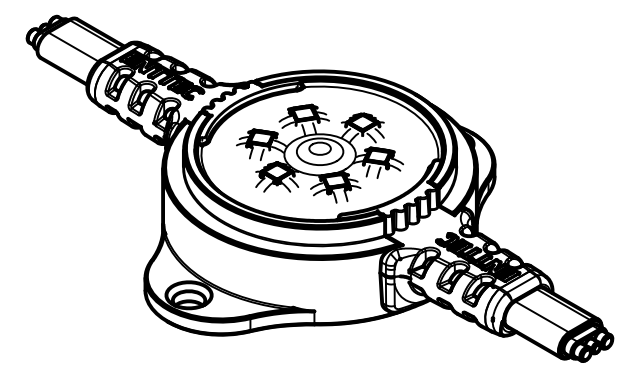
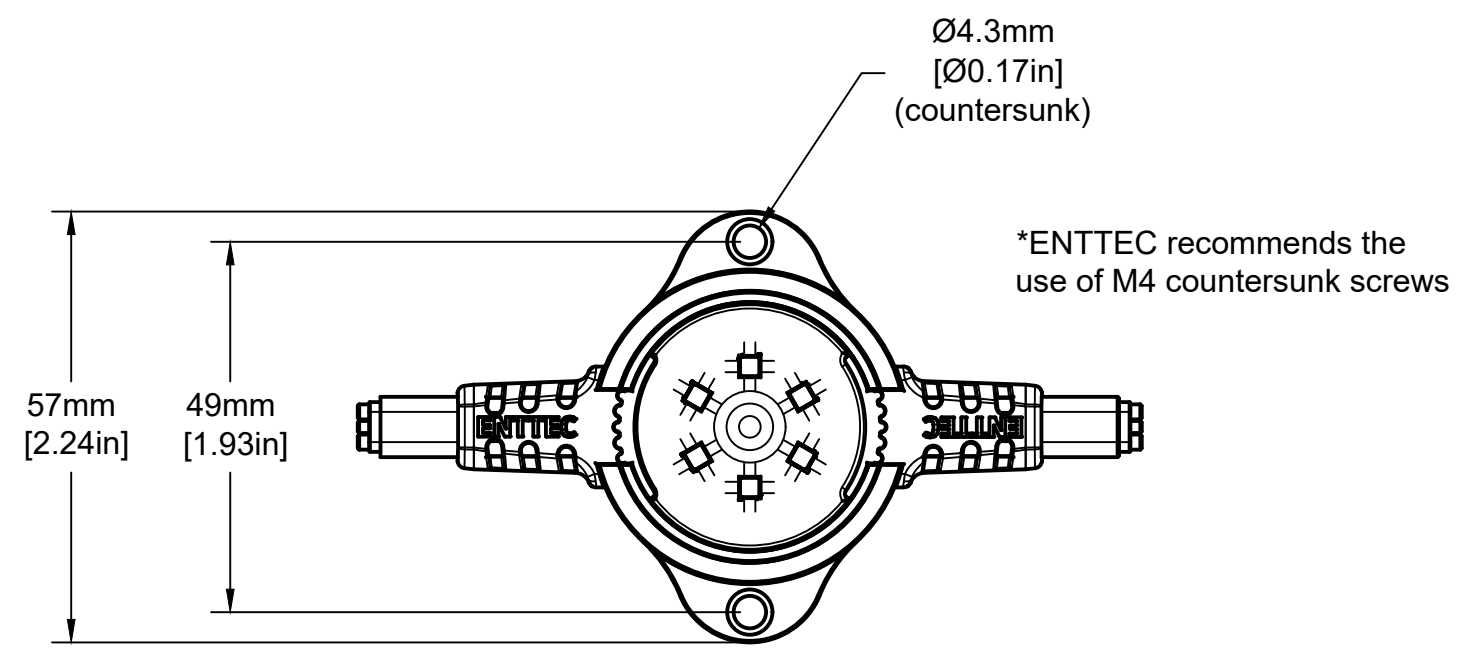
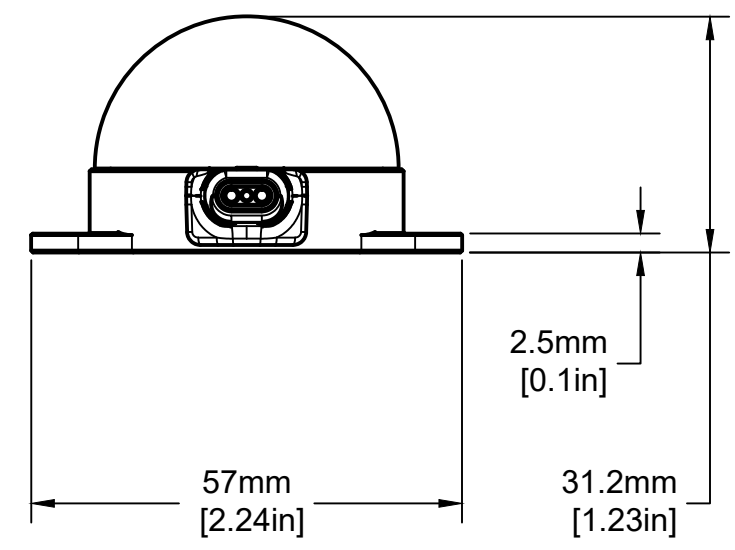
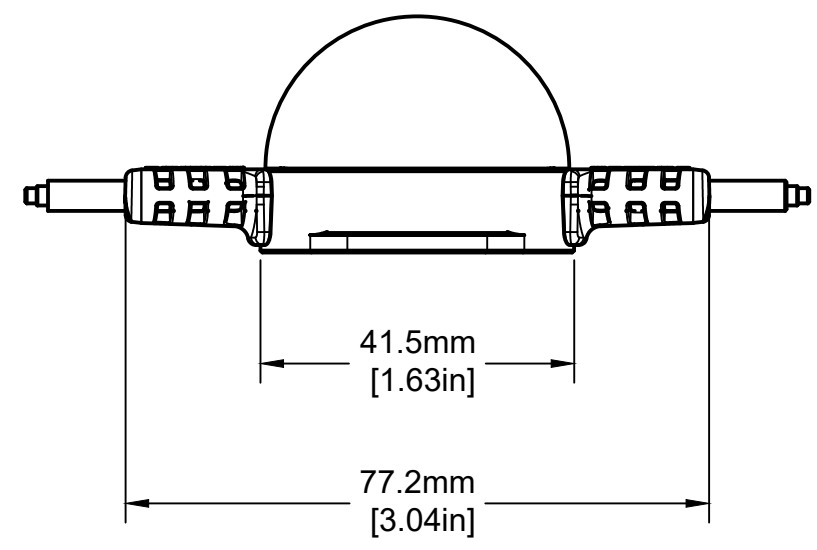
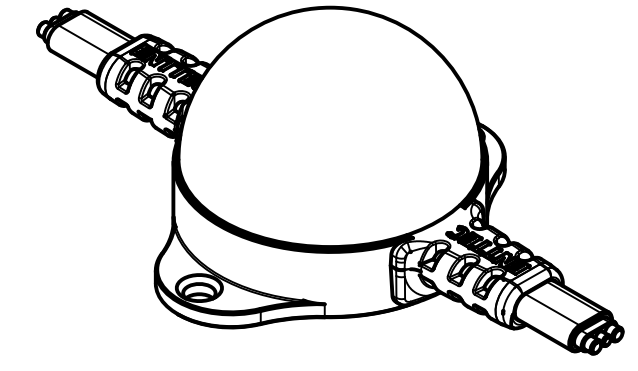
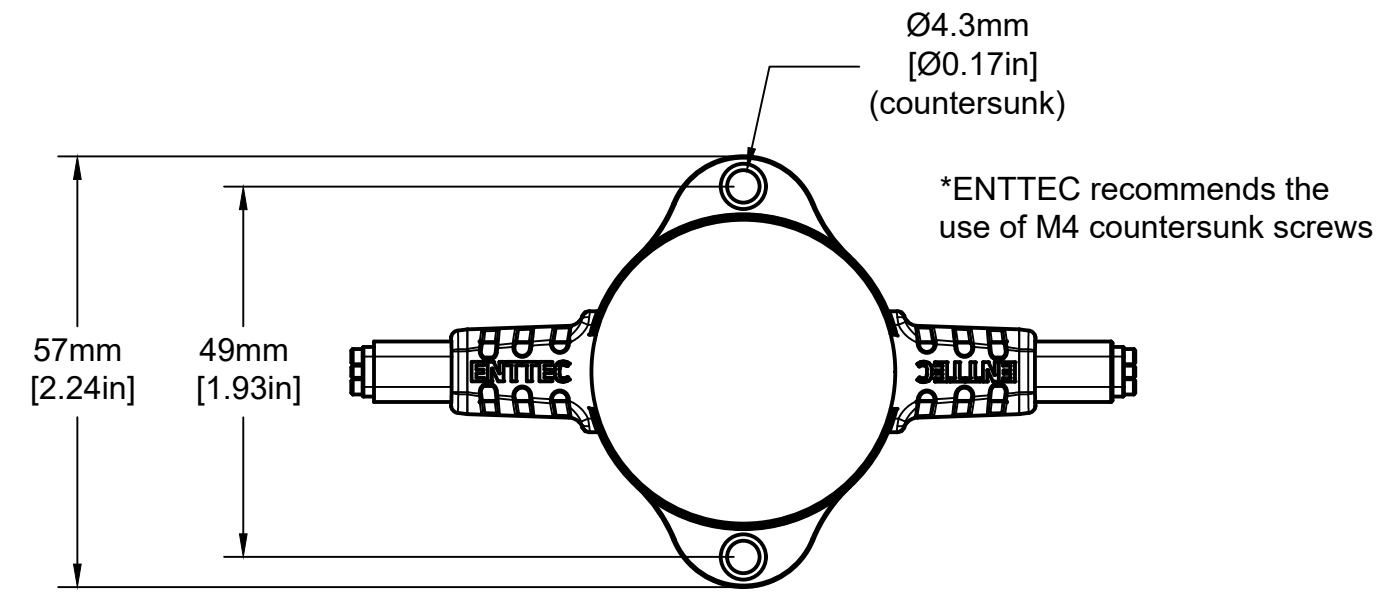


ISOMETRIC ACTUAL SIZE



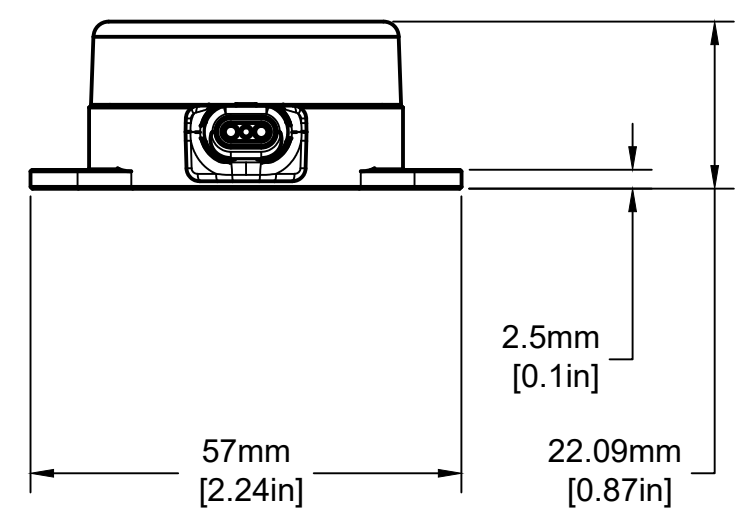
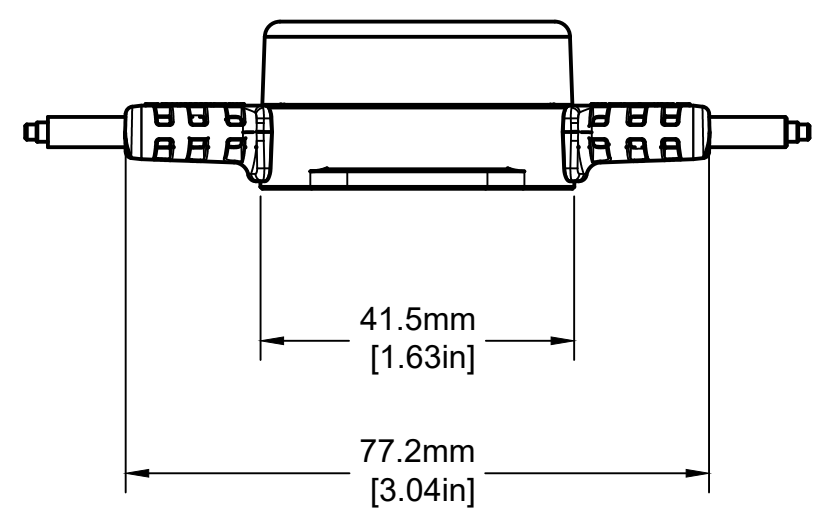
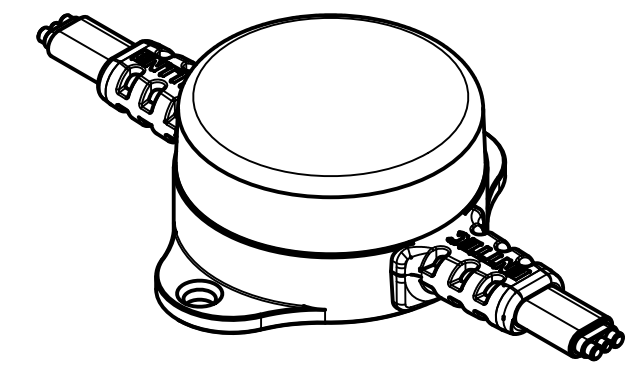
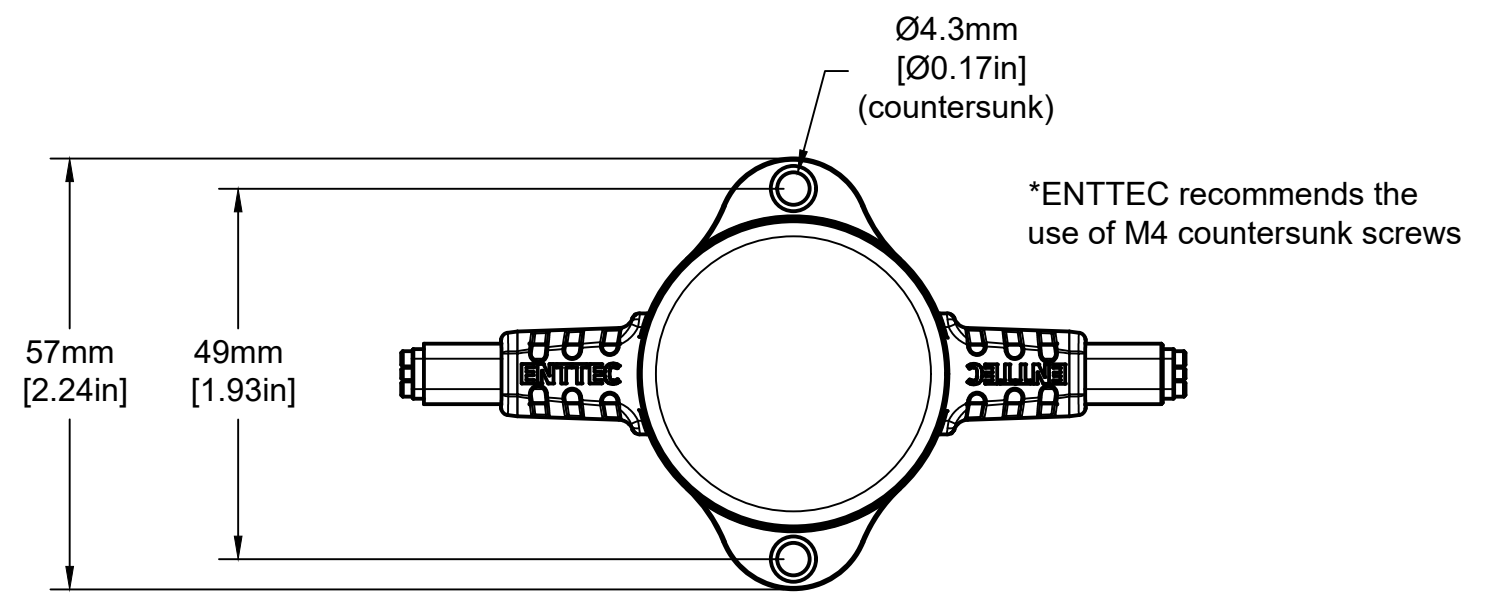
|       |                              |               |          |   |          |               |      |         |      |  |   |          |
|-------|------------------------------|---------------|----------|---|----------|---------------|------|---------|------|--|---|----------|
|       |                              |               |          | FINISH  |          |               |      | INITIAL | DATE | THIS DOCUMENT AND THE DESIGN IT CONTAINS IS EXCLUSIVELY THE PROPERTY OF ENTTEC AND IS THE SUBJECT OF COPYRIGHT<br>DRAWN TO AS1100<br>ALL DIMENSIONS IN MILLIMETERS<br>DO NOT SCALE - IF IN DOUBT ASK | <b>ENTTEC</b><br>enttec.com                     |          |
|       |                              |               |          | --  |          |               |      | DRAWN   | ROC  |  |   | 29-09-20 |
|       |                              |               |          | <b>TOLERANCES</b><br>(UNLESS OTHERWISE SPECIFIED)<br>0.1 UP TO 6mm IS $\pm 0.05$<br>OVER 6 UP TO 30mm IS $\pm 0.10$<br>OVER 30MM UP TO 120mm IS $\pm 0.25$<br>OVER 120MM TO 400mm IS $\pm 0.50$<br>OVER 400mm IS $\pm 1.00$<br>ANGULAR IS $\pm 1/2^\circ$ |          |               |      | CHECKED | JW   |  |   | 29-09-20 |
|       |                              |               |          |   |          |               |      | SCALE   | 1:1  |  |   |          |
| 1     | BASIC DIMENSIONS NO DIFFUSER | ROC           | 29-09-20 |   |          |               |      | TITLE   |      |  | 73010 - PXL-40 SMART PIXEL DOT BASIC DIMENSIONS |          |
| ISSUE | REVISION                     | DCN / INITIAL | DATE     | ISSUE   | REVISION | DCN / INITIAL | DATE |         |      |  | A3  |          |

ISOMETRIC ACTUAL SIZE

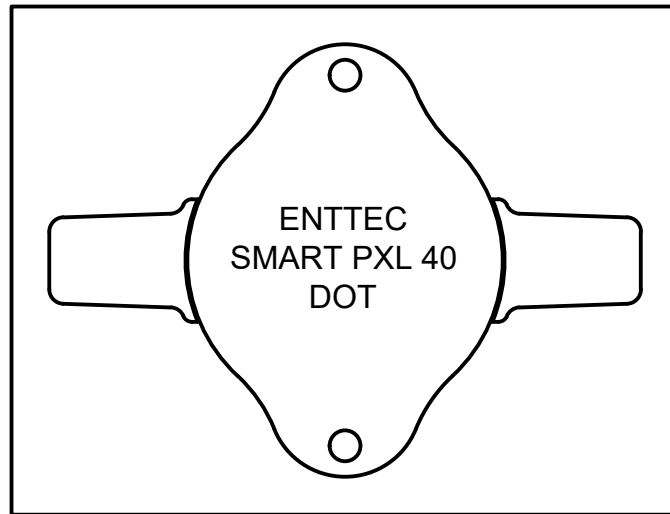


|       |  |                                |  |   |  |          |  |         |  |          |  |  |  |  |  |          |  |
|-------|--|--------------------------------|--|---|--|----------|--|---------|--|----------|--|--|--|--|--|----------|--|
|       |  |                                |  | FINISH  |  |          |  | INITIAL |  | DATE     |  | THIS DOCUMENT AND THE DESIGN IT CONTAINS IS EXCLUSIVELY THE PROPERTY OF ENTTEC AND IS THE SUBJECT OF COPYRIGHT<br>DRAWN TO AS1100<br>ALL DIMENSIONS IN MILLIMETERS<br>DO NOT SCALE - IF IN DOUBT ASK |  | <b>ENTTEC</b><br>enttec.com                    |  |          |  |
|       |  |                                |  | --  |  |          |  | DRAWN   |  | ROC      |  |  |  |  |  | 29-09-20 |  |
|       |  |                                |  | <b>TOLERANCES</b><br>(UNLESS OTHERWISE SPECIFIED)<br>0.1 UP TO 6mm IS $\pm 0.05$<br>OVER 6 UP TO 30mm IS $\pm 0.10$<br>OVER 30MM UP TO 120mm IS $\pm 0.25$<br>OVER 120MM TO 400mm IS $\pm 0.50$<br>OVER 400mm IS $\pm 1.00$<br>ANGULAR IS $\pm 1/2^\circ$ |  |          |  | CHECKED |  | JW       |  |  |  |  |  | 29-09-20 |  |
|       |  |                                |  |   |  |          |  | SCALE   |  | 1:1      |  | TITLE  |  | 73011 - PXL40 SMART PIXEL DOT BASIC DIMENSIONS |  | A3       |  |
| 1     |  | BASIC DIMENSIONS DOME DIFFUSER |  | ROC   |  | 29-09-20 |  |         |  |          |  |  |  |  |  |          |  |
| ISSUE |  | REVISION                       |  | DCN / INITIAL   |  | DATE     |  | ISSUE   |  | REVISION |  | DCN / INITIAL  |  | DATE   |  |          |  |

ISOMETRIC ACTUAL SIZE



|       |                                |               |          |       |  |               |      |  |     |          |       |  |                             |
|-------|--------------------------------|---------------|----------|-------|--|---------------|------|--|-----|----------|-------|--|-----------------------------|
|       |                                |               |          |       | FINISH   |               |      | INITIAL  |     | DATE     |       | THIS DOCUMENT AND THE DESIGN IT CONTAINS IS EXCLUSIVELY THE PROPERTY OF ENTTEC AND IS THE SUBJECT OF COPYRIGHT<br>DRAWN TO AS1100<br>ALL DIMENSIONS IN MILLIMETERS<br>DO NOT SCALE - IF IN DOUBT ASK | <b>ENTTEC</b><br>enttec.com |
|       |                                |               |          |       | --   |               |      | DRAWN  | ROC | 29-09-20 |       |  |                             |
|       |                                |               |          |       | TOLERANCES<br>(UNLESS OTHERWISE SPECIFIED)<br>0.1 UP TO 6mm IS $\pm 0.05$<br>OVER 6 UP TO 30mm IS $\pm 0.10$<br>OVER 30MM UP TO 120mm IS $\pm 0.25$<br>OVER 120MM TO 400mm IS $\pm 0.50$<br>OVER 400mm IS $\pm 1.00$<br>ANGULAR IS $\pm 1/2^\circ$ |               |      | CHECKED  | JW  | 29-09-20 |       |  |                             |
|       |                                |               |          |       |  |               |      | SCALE  | 1:1 |          | TITLE |  |                             |
| 1     | BASIC DIMENSIONS FLAT DIFFUSER | ROC           | 29-09-20 |       |  |               |      | 73012 - PXL40 SMART PIXEL DOT BASIC DIMENSIONS |     |          |       | A3   |                             |
| ISSUE | REVISION                       | DCN / INITIAL | DATE     | ISSUE | REVISION   | DCN / INITIAL | DATE |  |     |          |       |  |                             |



**1:1 SCALE SMART PXL 40 DOT FOOTPRINT**

USE THIS 1:1 SCALE FOOTPRINT FOR MARKING  
YOUR DOT MOUNTING POINTS IF REQUIRED.

|   |                            |                 |          |  |  |                             |
|---|----------------------------|-----------------|----------|--|--|-----------------------------|
|   |                            |                 |          |  |  |                             |
| 1   | FOOTPRINT FOR INSTALLATION | ROC             | 30-09-20 | THE DOCUMENT & THE DESIGN ON IT IS THE EXCLUSIVE PROPERTY OF ENTTEC. & IS SUBJECT OF COPYRIGHT |  | <b>ENTTEC</b><br>enttec.com |
| ISSUE   | REVISION                   | DCN/<br>INITIAL | DATE     |  |  |                             |
| FINISH  |                            | INITIAL         | DATE     | DRAWN TO AS1100 ALL DIMENSIONS IN MILLIMETERS DO NOT SCALE - IF IN DOUNT ASK                   |  |                             |
|   |                            | DRAWN           | ROC      |  | 30-09-20                                       |                             |
| TOLERANCES UNLESS OTHERWISE SPECIFIED   |                            | CHECKED         | JW       | 30-09-20   | TITLE  |                             |
| 0.1 UP TO 6mm IS ± 0.05<br>OVER 6 UPTO 30mm IS ± 0.1<br>OVER 30 UP TO 120mm IS ± 0.25<br>OVER 120 UP TO 400mm ± 0.5<br>OVER 400mm IS ±1<br>ANGULAR IS ± 1/2 |                            | SCALE           | 1:1      |  | ENTTEC SMART PXL 40 DOT INSTALLATION FOOTPRINT | <b>A4</b>                   |