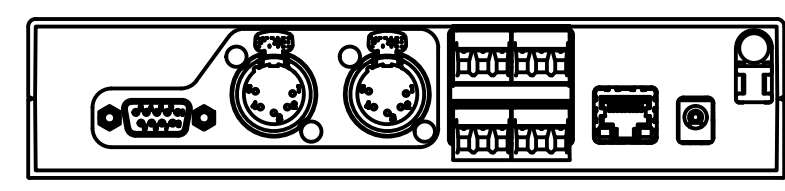
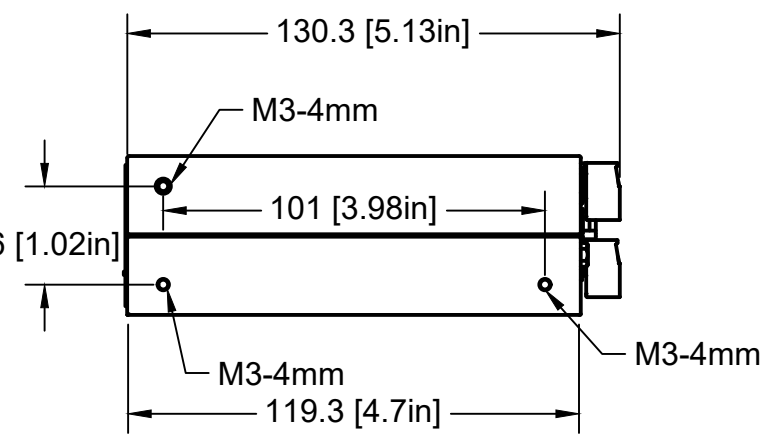
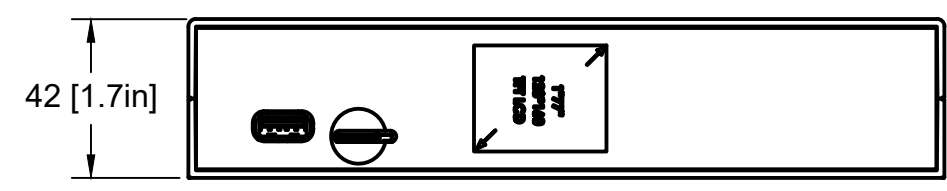
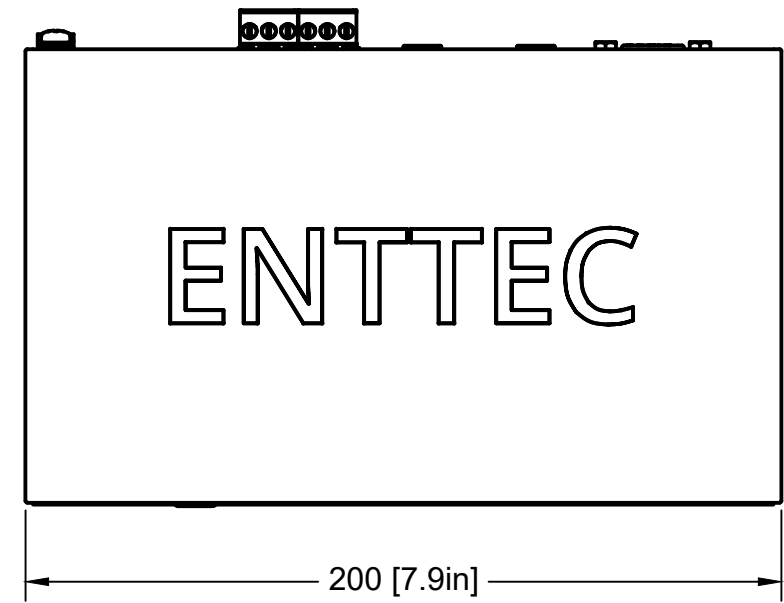
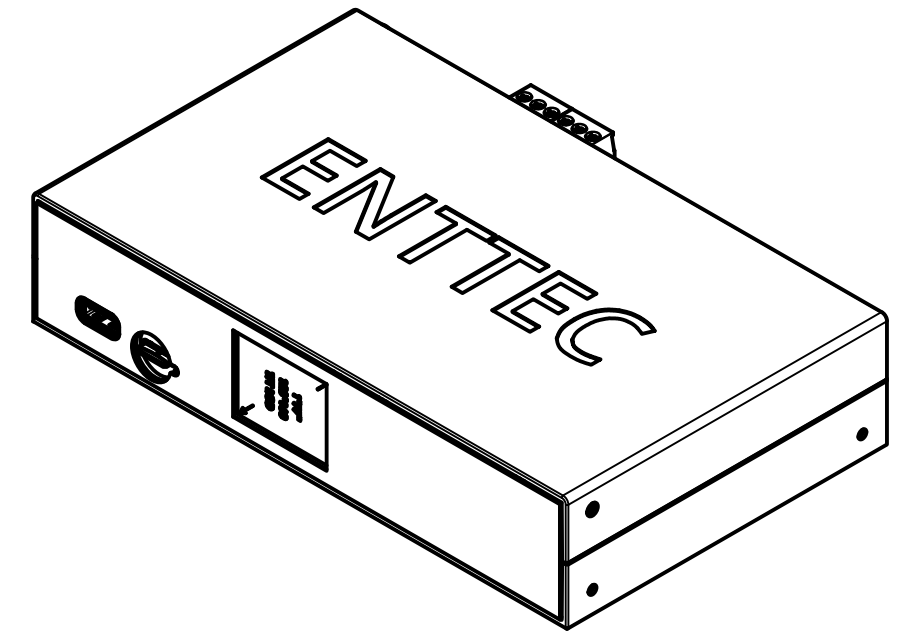


ALL VIEWS 1:2 SCALE



				MATERIAL & FINISH				INITIAL	DATE	THIS DOCUMENT AND THE DESIGN IT CONTAINS IS EXCLUSIVELY THE PROPERTY OF ENTTEC AND IS THE SUBJECT OF COPYRIGHT DRAWN TO AS1100 ALL DIMENSIONS IN MILLIMETERS DO NOT SCALE - IF IN DOUBT ASK	<b>ENTTEC</b> enttec.com	
				--				DRAWN	INT			--
				<b>TOLERANCES</b> (UNLESS OTHERWISE SPECIFIED) 0.1 UP TO 6mm IS ±0.05 OVER 6 UP TO 30mm IS ±0.10 OVER 30MM UP TO 120mm IS ±0.25 OVER 120MM TO 400mm IS ±0.50 OVER 400mm IS ±1.00 ANGULAR IS ±1/2°				CHECKED	DBJ			--
								SCALE	1:1			
1	RELEASED FOR PRODUCTION	NM	26-08-2021							TITLE	SPLAY-70092 USER FACING CAD	
ISSUE	REVISION	DCN / INITIAL	DATE	ISSUE	REVISION	DCN / INITIAL	DATE				A3	

