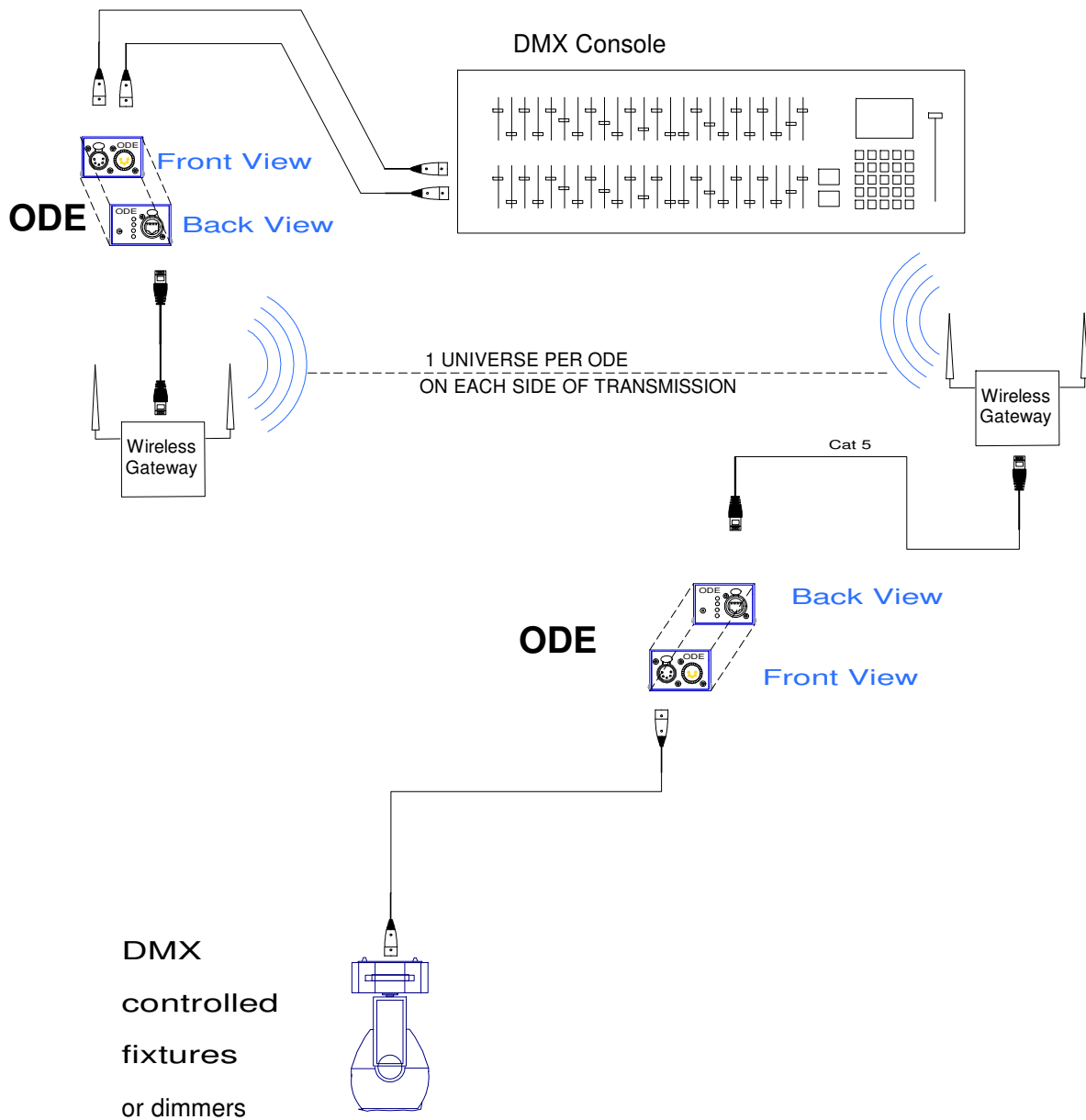


ODE used for wireless DMX transmission



P.O. Box 282
Kew, Vic 3101
Australia
+61 39 819 2433 Tel
+61 39 819 2733 Fax

ENTTEC PTY LTD

ENTTEC USA
SALES AND INFO
337 Court Street
Brooklyn, NY 11231
888 454-5922 Voice/Fax

PLATE

70305-3

RISER DIAGRAM
ODE used for wireless DMX transmission

SCALE: n/a
Some elements drawn out of scale for clarity
DRAWING DATE: 4/16/2007

DRAWN BY: J KUMIN